

KATANA 6 - KATANA 12 PTO - KATANA 20 W

Horizontal bowl cutters



KATANA 6



KATANA 12 PTO

- Designed for high volume production, the Katana series provides homogeneous product texture
- Continuous feed of meats, cheese, salads, dips, spreads, breads and emulsified sausage batters
- Stainless steel AISI 304 construction, for durable long life
- Cutlery grade 3-blade hub to efficiently decrease processing time for faster results, 5000 cuts per minute
- 3-blade Hub driven by powerful ventilated asynchronous motor at 1680 rpm
- Removable bowl cover, 3-blade hub and bowl without tools, for easy cleaning and thorough sanitation.
- Maximum protection against liquid infiltration on the shaft
- Rubber feet
- Bowl cover safety interlock
- Thermal overload motor protection
- ON/OFF s/steel keypad, IP 67 waterproof.
No voltage release

KATANA 12 PTO

- comes standard with PTO hub

Optional

- Triple serrated blades hub
- Triple unsharpened blades hub

Specifications

Construction:	Stainless steel body
Electrical Katana 6:	120V AC, 60Hz, single-phase, 6.8A - 1 HP
Electrical Katana 12:	120V AC, 60Hz, single-phase, 12.6A - 2 HP
Electrical Katana 20:	220V AC, 60Hz, single-phase, 7A - 3,25 HP
Plug & Cord:	Attached plug, flexible, 3 wire SJT 16 AWG, 6' long cord. NEMA 5-15 P (Katana 6 and Katana 12) NEMA 6-20 P (Katana 20)
Controls:	ON/OFF stainless steel keypad. IP 67 waterproof. No voltage release.



Certified to UL Standard 763 and NSF Standard 08
 Certified to CSA Standard C22.2



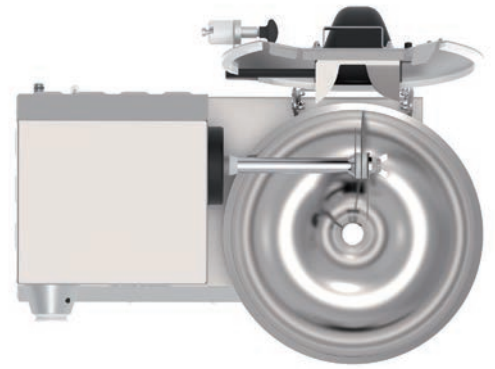
STANDARD
 Hub with 3 blades



OPTIONAL
 Hub with 3 serrated blades

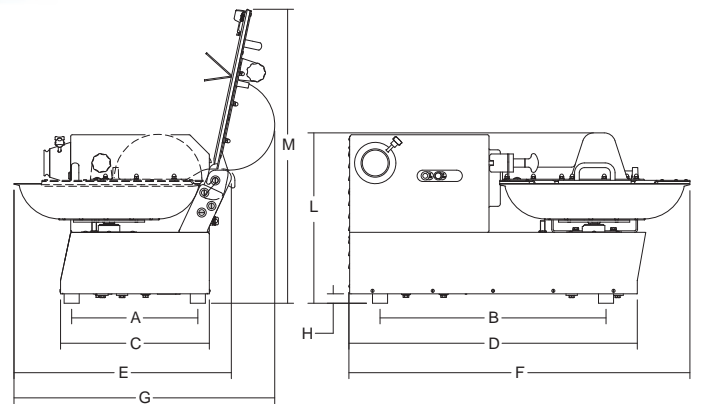


OPTIONAL
 Hub with 3 unsharpened beating blades



Optional thermometer on lid

Removable bowl cover, 3-blade hub and bowl without tools,
 for easy cleaning and thorough sanitation



	Power	Power source	Bowl capacity	3-blade hub rotation	A	B	C	D	E	F	G	H	L	M	Net weight	Shipping	Gross weight
	watt/Hp		lb	r.p.m.	inch.	inch.	inch.	inch.	inch.	inch.	inch.	inch.	inch.	inch.	lbs.	inch.	lbs.
KATANA 6	750/1	120V AC - 60HZ - 6.8A	10	1.680	11 ³ / ₄ "	21 ¹ / ₄ "	14"	28"	20 ¹ / ₃ "	32 ³ / ₄ "	23"	3 ⁵ / ₈ "	18 ⁵ / ₈ "	30"	134	32" x 48" x 34"	220
KATANA 12 PTO	1400/2	120V AC - 60HZ - 12.6A	20	1.680	13 ³ / ₁₆ "	23 ⁵ / ₈ "	15 ¹ / ₂ "	29 ¹³ / ₁₆ "	23 ¹ / ₈ "	35 ¹ / ₂ "	26 ³ / ₄ "	3 ⁵ / ₈ "	20"	33 ¹ / ₂ "	156	32" x 48" x 34"	240
KATANA 20 VV	2387/3.25	220V AC - 60HZ - 7A	33	600/2.600	15 ²³ / ₆₄ "	25 ¹⁸ / ₃₂ "	17 ²³ / ₃₂ "	32 ⁹ / ₃₂ "	27 ³ / ₁₆ "	39 ⁷ / ₈ "	32 ²³ / ₆₄ "	3 ⁵ / ₈ "	19 ⁵¹ / ₆₄ "	37 ¹³ / ₆₄ "	203	39 ³ / ₈ " x 47 ¹ / ₄ " x 31 ¹ / ₂ "	287